

Proudly



MADE IN USA



- Dual-beam CO₂-sensing technology
- Fail-safe wiring protection
- 24-hour occupancy-capable:
No correction algorithm needed
- Mounts in single-gang outlet box
- Switch-selectable output mode:
0-5V, 0-10V, or 4-20mA with easy slider switch

Ultra Low Profile

irSense Model 315 CO₂ Sensor

The Model 315 is the sleek new member of the AirSense HVAC CO₂ sensor family. Rising only about a quarter inch from the wall, it discreetly blends-into any architectural motif. But don't be fooled by its slim profile: inside is a powerhouse of modern sensor technology! The compact dual-beam detection system ensures accurate operation without the need for a "self calibration" algorithm and its attendant operational limitations. The Model 315 can be used with any building occupancy profile!

The AirSense Model 315 mounts conveniently in a standard single-gang junction box. The labeled and pluggable connector makes wiring quick and easy. All screw terminal connections can be made beforehand. And thanks to built-in circuit protection, the Model 315 will not be damaged even if it is mis-wired during installation.

Just set the slider switch to select the desired output (0-5V, 0-10V, or 4-20mA) and plug-in the connector! There are no jumpers to lose or complicated documentation to decipher.

The Model 315 can be ordered with LEDs to indicate CO₂ concentration (sometimes required for LEED certification), or without to make the Model 315 even more discreet when desired.

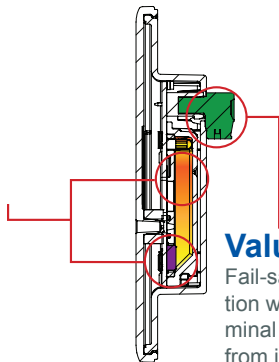
irSense Model 315 CO₂ Sensor

SIMPLY SMART

Performance

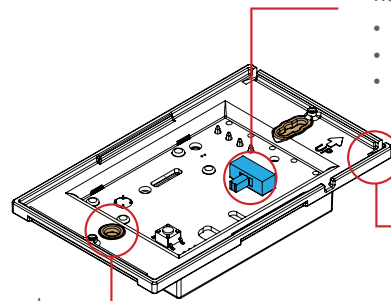
All new compact CO₂ sensor with a dual-beam detector increases precision and long-term stability.

0.2 micron particle filter.



Value

Fail-safe circuit protection with pluggable terminal prevents damage from installation errors



Convenience

Mounts on a standard single-gang junction box and connector can be pre-wired

Simplicity

Switch-selectable output
no jumpers to lose

- 4-20 mA output
- 0-5 V output
- 0-10 V output

Design

0.28" profile height unobtrusively integrates into any architectural decor



| Parameter | Value |
|---|---|
| Operating Principle | Dual-beam non-dispersive infrared |
| Gas Sampling Method | Diffusion |
| Measurement Range | 2,000 ppm or 5,000 ppm |
| Repeatability | ± 20 ppm CO ₂ |
| Measurement Accuracy | ± 30 ppm ± 2% of reading |
| Recommended Calibration Interval | 5 years |
| Response time | Less than 1 minute |
| Power Requirements | 18 - 30 VDC or 18 - 28 VRMS AC |
| Operating Temperature Range | 10 - 50° Celsius |
| Operating Humidity Range | 0 - 95% RH, non-condensing |
| Analog Output (linear), field-selectable with slider switch | 0 - 5 Volts DC, 0 - 10 Volts DC, or 4-20 mA (R _L > 500 Ohms) |
| Calibration | Single gas: 2,000 ppm (kits available) |
| Dimensions | 2.84" W x 4.58" H and 0.28" T above wall surface when mounted in junction box |
| Weight | 5.85 oz (0.17 kg) |
| Enclosure Material | UV-stabilized and UL 94V-0 fire-resistant ABS plastic |
| Warranty | 7 years on electronic components, 3 years on NDIR sensor |

Made in America

The AirSense model 315 is actually manufactured in the United States, not merely assembled here out of imported parts.

Get more for less!

Robust accuracy
Easy installation
Compact styling
Long warranty

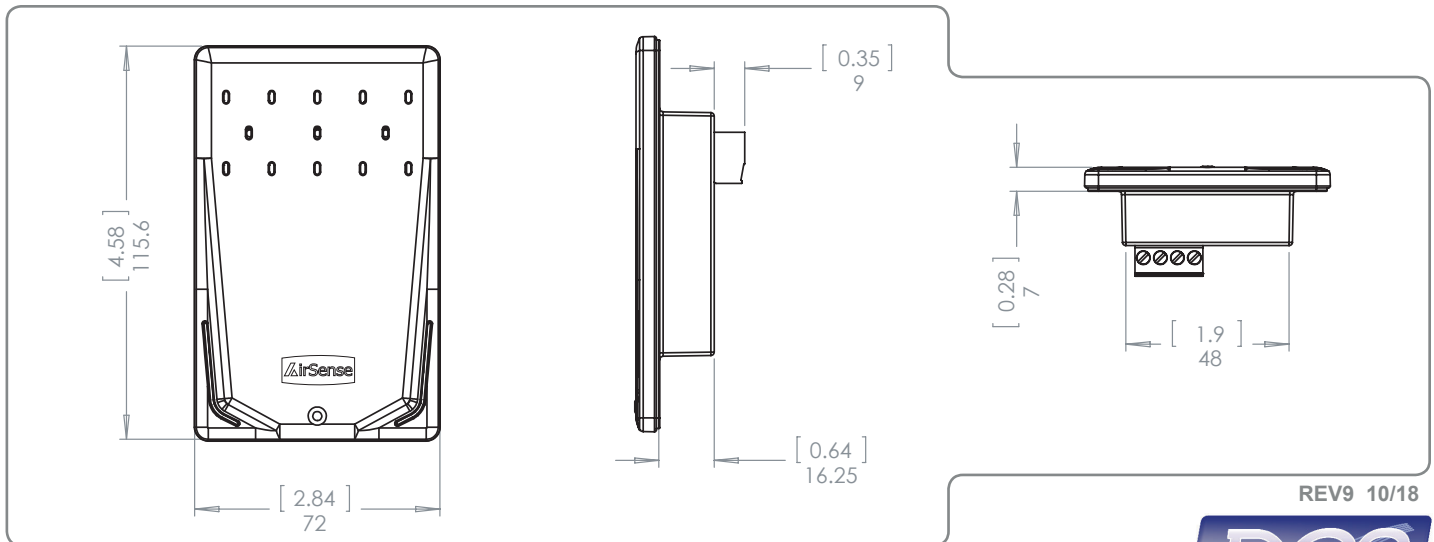
ORDERING TABLE

| MODEL | DESCRIPTION |
|-------|---|
| 315 | CO2 SENSOR |
| | TOP OF SCALE |
| BLANK | 2,000 PPM (Standard) |
| 5K | 5,000 PPM |
| | LED INDICATOR |
| BLANK | STANDARD LED INDICATOR (Green, Yellow, and Red LED) |
| NL | DISABLE LED INDICATOR (for discreet applications: i.e. movie theaters, museums, etc.) |
| | ENCLOSURE COLOR |
| BLANK | White (Standard) |
| BK | Black |

315 — 5K — [] — BK

EXAMPLE: 315-5K-BK Wall-mount CO2 sensor with 5,000 ppm top of scale. Black enclosure.

* Note: installation requires a standard SINGLE-GANG OUTLET BOX



REV9 10/18

